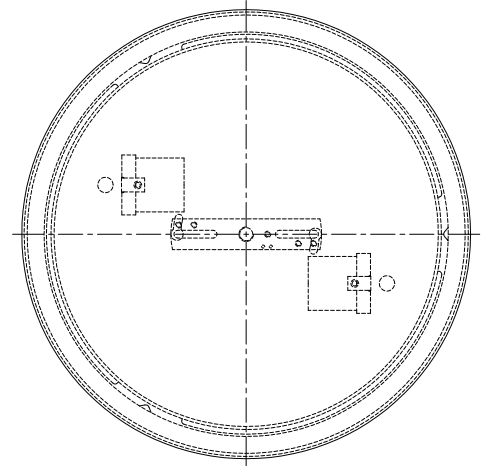
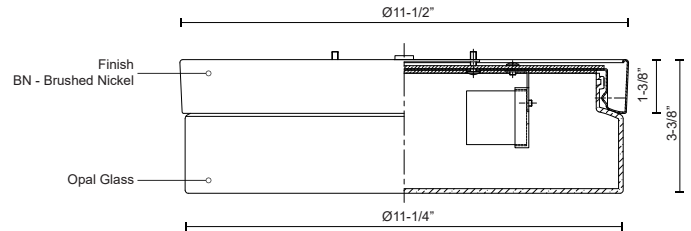




52022BN  
Brushed Nickel

**DESCRIPTION**

Two lamp flush mount ceiling fixture with white round opal glass and a brushed nickel finish.



**SPECIFICATION DETAILS**

<b>Fixture Dimensions</b>	D11-1/2" x H3-3/8"
<b>Lamp Type</b>	Incandescent, A19, Medium Base
<b>Wattage</b>	2 x 40W
<b>Voltage</b>	120V
<b>Glass Details</b>	Opal Glass
<b>Location</b>	Dry
<b>Bulbs Included</b>	No
<b>Paint Finish</b>	BN01

\* For custom options, consult factory for details.

\* For warranty information, please visit [www.kuzcolighting.com/warranty](http://www.kuzcolighting.com/warranty)

KUZCO

CANADA: 19054 28TH AVENUE - SURREY, BC V3Z 6M3  
USA: 3035 E. LONE MOUNTAIN ROAD - LAS VEGAS, NV 89081

[WWW.KUZCOLIGHTING.COM](http://WWW.KUZCOLIGHTING.COM)

© 2010 KUZCO LIGHTING. ALL RIGHTS RESERVED.

**COMMENT**

